

049148

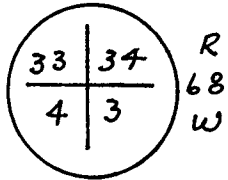
RECEIVED
LARAMIE COUNTY
CHEYENNE, WY.

CERTIFIED LAND CORNER RECORDATION

'88 SEP 22 PM 3 32

T-15-N

DESCRIPTION OF CORNER EVIDENCE FOUND, AND ORIGINAL RECORD (if known)



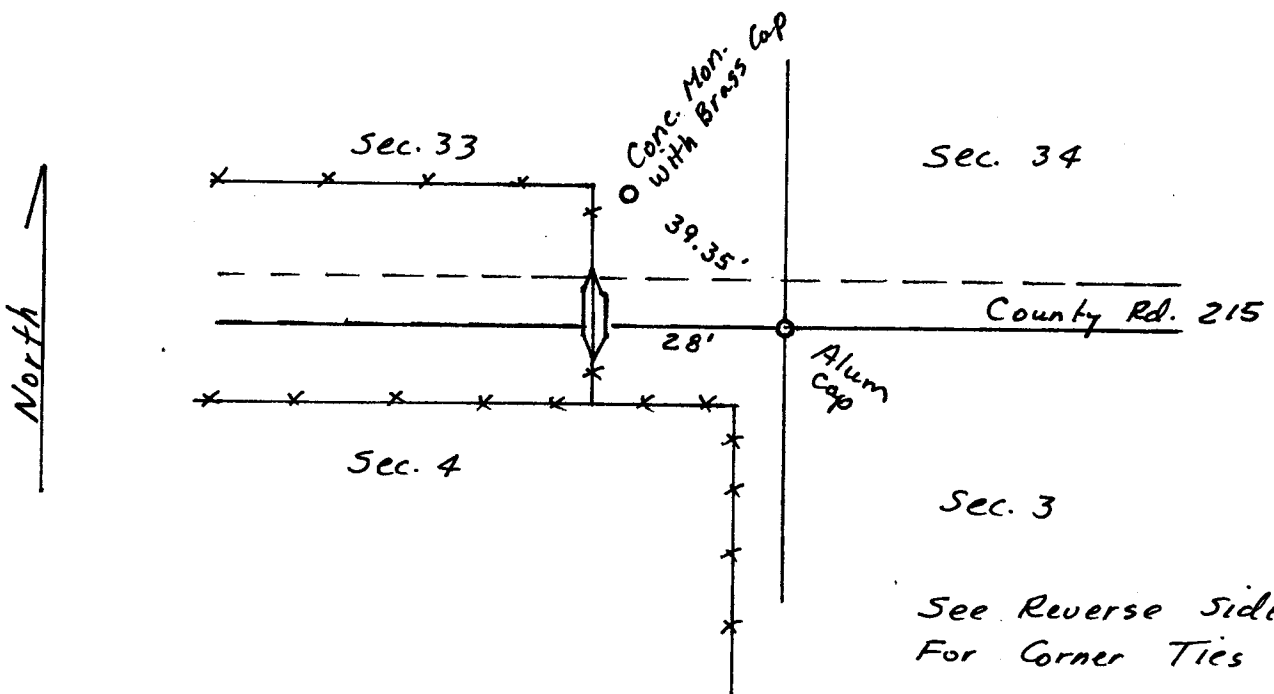
G.L.O. Monument Assumed destroyed by County Road Construction, which is described as a Granite Boulder 16" x 8" x 7"

T-14-N

DESCRIPTION OF MONUMENT AND ACCESSORIES ESTABLISHED TO PERPETUATE THE ORIGINAL LOCATION OF THIS CORNER:

Set a 5/8" Rebar with Aluminum Cap set 8"± below Road Grade. Relocated using Single proportional Measure.

SKETCH, WITH COURSE AND DISTANCE TO ADJACENT CORNER IF DETERMINED IN THIS SURVEY. (May Sketch or Paste Reproduction on Reverse Side.)



See Reverse Side For Corner Ties

Field Survey
Sept. 1988

I, Edward C. Fry certify that I have carefully performed ~~or reviewed~~ the work done on the diagrammed corner as reported on this recordation form and approve the same.

Edward C. Fry PE/LS 662
Signature of Surveyor Registration No.

STATE OF WYOMING,
Office of Clerk and Recorder,
County of Laramie

This "corner record" was filed for record on the 22 day of September, 1988, was noted on the cross-index plat and is assigned page No. 608, in book No. 1265.

Frank C. Whitehead
County Official
Cross Index No. _____ T. _____ R. _____ Mer. _____
_____ T. _____ R. _____ Mer. _____
_____ T. _____ R. _____ Mer. _____
_____ T. _____ R. _____ Mer. _____
_____ T. _____ R. _____ Mer. _____
_____ T. _____ R. _____ Mer. _____
_____ T. _____ R. _____ Mer. _____

N 1/4 Cor.
Sec. 6

North

270° 10' 53"

7931.99'
G.L.O. 7920.0'

358° 34' 40"
5345.22'
G.L.O. 5313.0'

2644.00' | 2644.00'
G.L.O. 2640.0' | G.L.O. 2640.0'

Sec. 4

G.L.O. 2619.9' | G.L.O. 2619.9'
2619.56 | 2619.56
269° 50' 25"

G.L.O. 5303.8'
5312.88'
179° 05' 46"

179° 36' 23"
10577.03'
G.L.O. 10,560.0'

5287.99'
G.L.O. 5280.0'

Sec. 3

G.L.O. 2633.4' | G.L.O. 2633.4'
2633.43 | 2630.27'
90° 26' 44" | 90° 11' 24"

G.L.O. 5289.9'
5325.15'
179° 21' 38"

16
21
15
22

Field Survey
Sept. 1988